

JEEP TJ FRONT FRAME TRACK BAR BRACKET

Thank You for Purchasing Barnes4WD

JEEP TJ FRONT FRAME TRACK BAR BRACKET

Installation Notes:

- This bracket will not work with a factory track bar, an adjustable aftermarket track bar with a joint that is capable of being mounted in a double shear configuration is required.
- The tabs are designed to be welded to the bracket at an angle, this will keep your track bar joint in a neutral position at ride height.
- This bracket will position the center of the track bar joint 3-1/2 inches below the bottom of the frame.
- The mounting width of the bracket is adjustable from 1 inch to 2-5/8 inch.
- Installation of this product requires a trained welder.
- Removal of existing bracketry is required for installation.
- Refer to your vehicles factory service manual for removal of any factory components.

Tools Required:

- Welding machine with the capability of welding at least $\frac{1}{4}$ " steel.
- Proper cutting tool (Grinder with cut off wheel, plasma cutter, cutting torch, etc.)
- Ratchet and Standard Socket Set.
- Tape measure

Step 1:

Measure location of O.E.M. Frame bracket, to use as a reference.

Step 2:

Remove O.E.M. Front Frame Trackbar Bracket.

Step 3:

Prep frame for installation of new bracket. Grind the surface smooth where O.E.M bracket was removed.

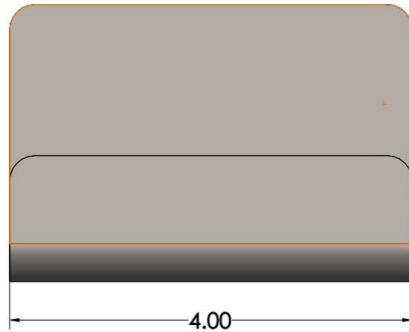
Step 4:

Locate the outer face of the TJ Track Bar Bracket Frame Cap $1 \frac{1}{4}$ " away from the outer face of the Factory Coil Spring Tower. Tack weld the TJ Trackbar Bracket Frame Cap $1 \frac{1}{4}$ " away from the outer face of the Factory Coil Spring Tower. This measurement will be the same no matter what mounting width from 1" to 2 $\frac{5}{8}$ ".



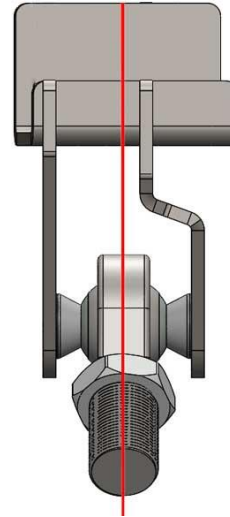
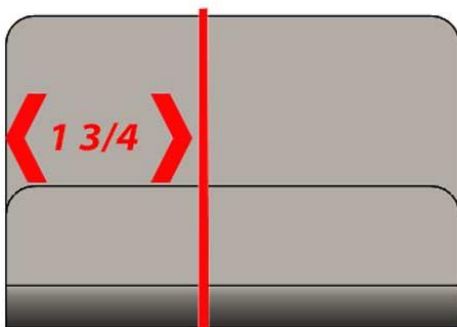
Adjustable Mounting Width Explained

The Tj Track Bar Bracket Frame Cap Has an overall length of 4 inches.



To ensure that your Track Bar End is mounted in the correct neutral position. The center of your Track Bar End will need to run perpendicular with the $1\frac{3}{4}$ " location on the Tj Track Bar Bracket Frame Cap.

Use the $1\frac{3}{4}$ " measurement as a centerline for any mounting width from 1" to $2\frac{5}{8}$ "

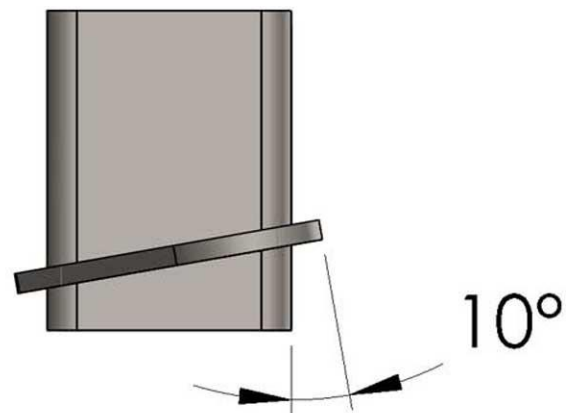


For different mounting widths. Both the Tj Track Bar Bracket Flat Tab and the Tj Track Bar Bracket Bent Tab will have to be adjusted, referencing this centerline to accommodate smaller or larger widths.

Step 5:

Once you have determined the mounting width you need. Tack weld the Tj Track Bar Bracket Flat Tab to the Tj Track Bar Bracket Frame Cap.

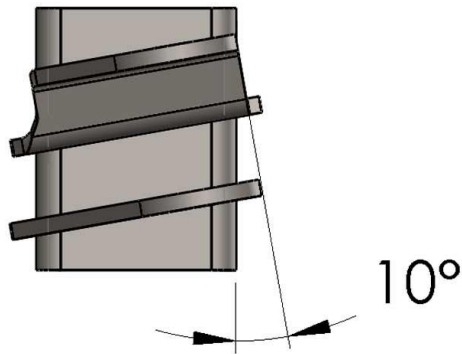
The Tj Track Bar Bracket Flat Tab will be mounted at a 10° angle on the Tj Track Bar Bracket Frame Cap.





Step 6:

Tack weld the Tj Track Bar Bracket Bent Tab to the Tj Track Bar Bracket Frame Cap. This will also be welded at a 10° angle on the Tj Track Bar Bracket Frame Cap.

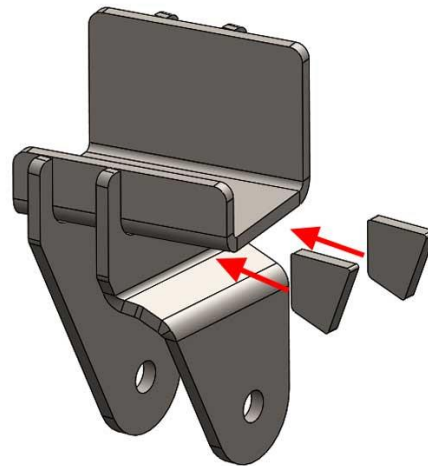


Step 7:

Ensure mounting width and location by mounting Track bar end into bracket. After confirming fitment move track bar end out of bracket.

Step 8:

Weld Tj Track Bar Bracket Gussets onto Tj Track Bar Bracket Bent Tab, and Tj Track Bar Bracket Frame Cap.



Step 9:

With fitment ensured weld bracket fully and mount your trackbar in place.

**CONGRATULATIONS!! You have completed
Installation of your Barnes 4WD**

JEEP TJ FRONT FRAME TRACK BAR BRACKET



Professional Services Disclaimer:

The content of this Website, such as text, graphics, images, information and other material (collectively, "Content") is for informational purposes only. Any information furnished on this Website is not intended nor implied to be automotive advice and is not intended to replace personal consultation with a qualified automotive service technician, mechanic or similar automotive professional.

Barnes 4WD has not examined the Content for accuracy, timeliness, completeness, appropriateness, or helpfulness. Barnes 4WD does not endorse any specific tests, products, procedures, opinions, or other information that may be mentioned on this Website. Your reliance upon information and Content obtained by you at or through this Website is solely at your own risk. IN NO EVENT SHALL BARNES 4WD BE LIABLE OR OTHERWISE RESPONSIBLE FOR ANY DAMAGE OR INJURY (INCLUDING DEATH) TO YOU, OTHER PERSONS, OR PROPERTY ARISING FROM ANY USE OF ANY PRODUCT, INFORMATION, IDEA, OR INSTRUCTION CONTAINED IN THE CONTENT.

Items Included with Kit:

