

Jeep JK and JKU Front 3 Link Upper Control Arm Mounting Bracket Installation Instructions

Thank you for purchasing our JK Upper Control Arm Mounting Bracket

Installation notes:

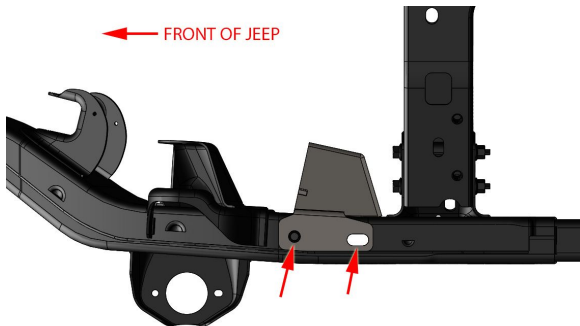
- This product is designed to fit a 2007-2018 Jeep Wrangler JK and JKU
- This kit is designed to provide a location to mount a front upper control arm on a custom 3 link suspension system. This part is one component of a complete kit. Additional parts will be required for a complete 3 link front suspension
- Welding is required
- Removal of the factory frame side upper control arm mounting bracket is required

Tools required:

- Welder with the capability to weld at least 1/4" thick steel
- Cutting torch, plasma cutter or other appropriate cutting tool
- Grinder for removal of paint

Step 1:

Place the main body of the bracket on the inside of the right frame rail. Move the bracket down the frame until the hole and the slot in the bottom of the bracket aligns with the hole and slot in the bottom of the frame. Mark all locations where the bracket contacts the frame. Remove the bracket and use a grinder to remove the paint from the marked areas in preparation for welding.



Step 2:

Cut the factory upper and lower control arm mounts off the frame, and grind smooth.

Step 3:

Place the main body of the new bracket in the same location as in step 1 and weld the bracket in place.

Step 4:

Place the provided tab inside the bracket that was welded to the frame in the previous step. The tab will locate in slots in the main bracket. Install a suspension joint and the provided bolt to align all components. Tack weld the tab in place, remove the joint and hardware and finish welding the tab.

Step 5:

Apply paint or another rust preventative coating to all bare metal surfaces.

Congratulations you have completed the installation of you upper control arm mounting bracket!

Professional Services Disclaimer:

The content of all pages of this website (collectively, the "Website"), such as text, graphics, images, information and other material (collectively, "Content") is for informational purposes only. Any information furnished on this Website is not intended nor implied to be automotive advice and is not intended to replace personal consultation with a qualified automotive service technician, mechanic, or similar automotive professional.

Barnes 4WD has not examined the Content for accuracy, timeliness, completeness, appropriateness, or helpfulness. Barnes 4WD does not endorse any specific tests, products, procedures, opinions, or other information that may be mentioned on this Website. Your reliance upon information and Content obtained by you at or through this Website is solely at your own risk. IN NO EVENT SHALL BARNES 4WD BE LIABLE OR OTHERWISE RESPONSIBLE FOR ANY DAMAGE OR INJURY (INCLUDING DEATH) TO YOU, OTHER PERSONS, OR PROPERTY ARISING FROM ANY USE OF ANY PRODUCT, INFORMATION, IDEA, OR INSTRUCTION CONTAINED IN THE CONTENT. BARNES 4WD DOES NOT MAKE ANY REPRESENTATION OR WARRANTY, EXPRESS OR IMPLIED, AT LAW OR IN EQUITY, WITH RESPECT TO ANY PRODUCT FEATURED ON THE WEBSITE, INCLUDING WITHOUT LIMITATION WITH RESPECT TO MERCHANTABILITY, FITNESS FOR ANY PARTICULAR PURPOSE, VALUE, VALIDITY, OR ENFORCEABILITY, AND ANY AND ALL SUCH OTHER REPRESENTATIONS OR WARRANTIES ARE HEREBY EXPRESSLY DISCLAIMED.