

JK Rear Recovery Point Kit

Thank you for purchasing Barnes 4WD

JK Rear Recovery Point Kit

Installation Notes:

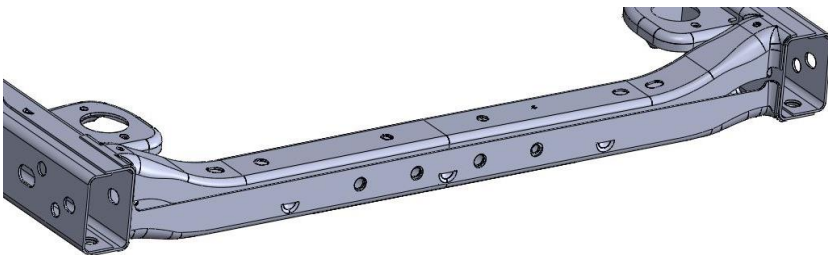
- Refer to your factory service manual for information regarding the removal of any factory components.
- This product is designed to fit 2007-2018 Jeep Wrangler JK and Jeep Wrangler JKU
- These recovery points are designed to fit in the frame and used with no bumper or the Barnes 4WD JK Mini Rear Bumper. (Part # B4WK1150)

Tools Required:

- $\frac{3}{4}$ " Combination wrench

Step 1:

Refer to your factory service manual to remove the factory rear bumper from the jeep.

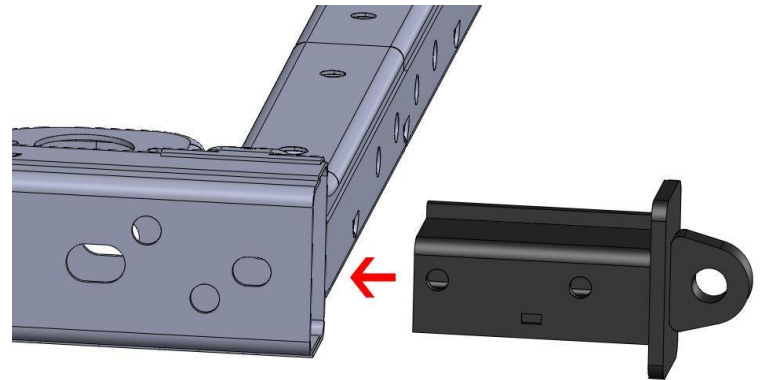


Step 2:

Insert the recovery points into the frame until

they make contact with the ends of the frame.

Note the recovery points are not side specific.

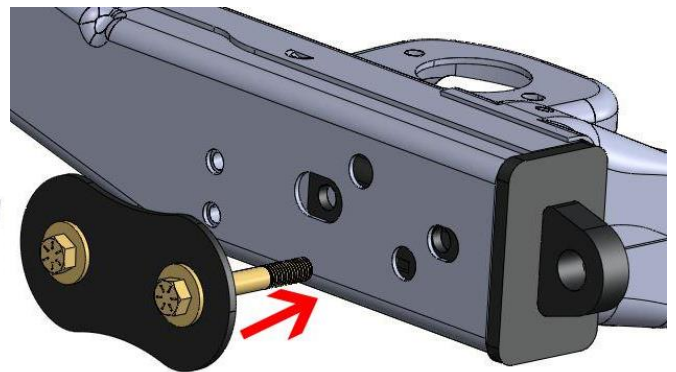


Step 3:

Insert the two $\frac{1}{2}$ " bolts through the holes in the

frame with the outer frame plate this will give

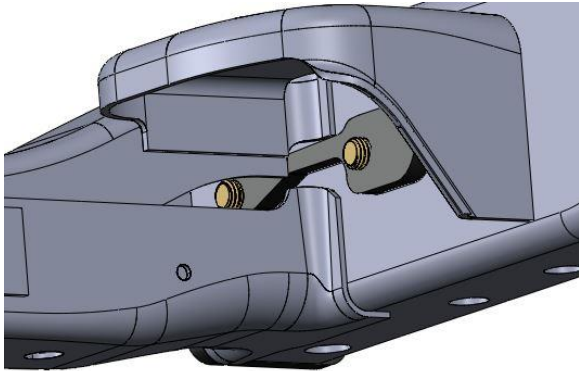
added strength to the recovery points.



Step: 4

Slide the threaded bracket down the inside of the frame rail until they line up with the holes in the recovery points and tighten the bolts.

Tighten bolts to 50 Ft Lbs.

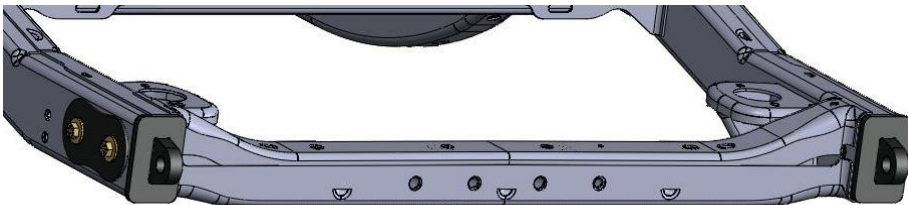


Professional Services Disclaimer:

The content of all pages of this website (collectively, the "Website"), such as text, graphics, images, information and other material (collectively, "Content") is for informational purposes only. Any information furnished on this Website is not intended nor implied to be automotive advice and is not intended to replace personal consultation with a qualified automotive service technician, mechanic, or similar automotive professional. Barnes 4WD has not examined the Content for accuracy, timeliness, completeness, appropriateness, or helpfulness. Barnes 4WD does not endorse any specific tests, products, procedures, opinions, or other information that may be mentioned on this Website. Your reliance upon information and Content obtained by you at or through this Website is solely at your own risk. IN NO EVENT SHALL BARNES 4WD BE LIABLE OR OTHERWISE RESPONSIBLE FOR ANY DAMAGE OR INJURY (INCLUDING DEATH) TO YOU, OTHER PERSONS, OR PROPERTY ARISING FROM ANY USE OF ANY PRODUCT, INFORMATION, IDEA, OR INSTRUCTION CONTAINED IN THE CONTENT. BARNES 4WD DOES NOT MAKE ANY REPRESENTATION OR WARRANTY, EXPRESS OR IMPLIED, AT LAW OR IN EQUITY, WITH RESPECT TO ANY PRODUCT FEATURED ON THE WEBSITE, INCLUDING WITHOUT LIMITATION WITH RESPECT TO MERCHANTABILITY, FITNESS FOR ANY PARTICULAR PURPOSE, VALUE, VALIDITY, OR ENFORCEABILITY, AND ANY AND ALL SUCH OTHER REPRESENTATIONS OR WARRANTIES ARE HEREBY EXPRESSLY DISCLAIMED.

Step: 5

Repeat steps 2 through 4 on the opposite side of the jeep.



Congratulations! You have Completed
Installation of your Barnes 4WD JEEP JK Rear
Recovery Point Kit